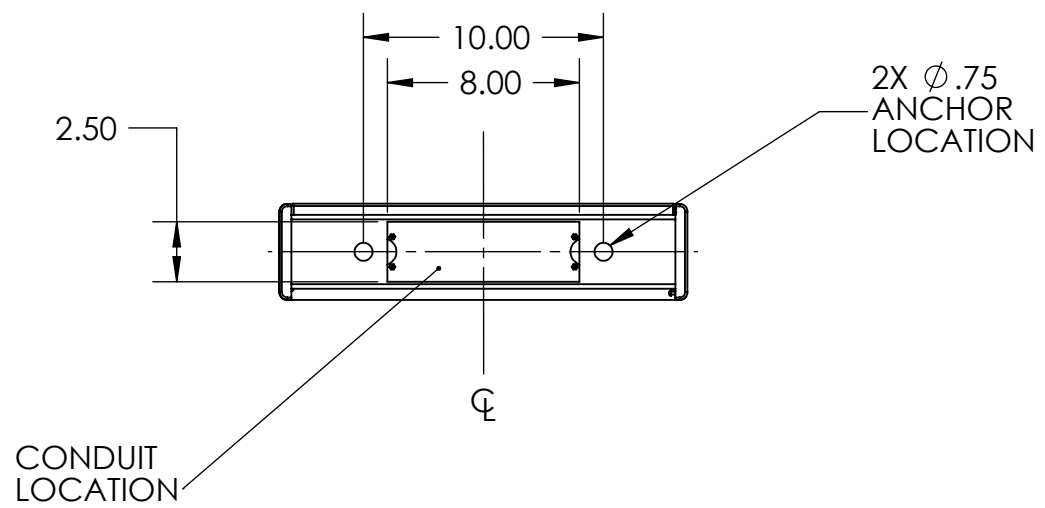
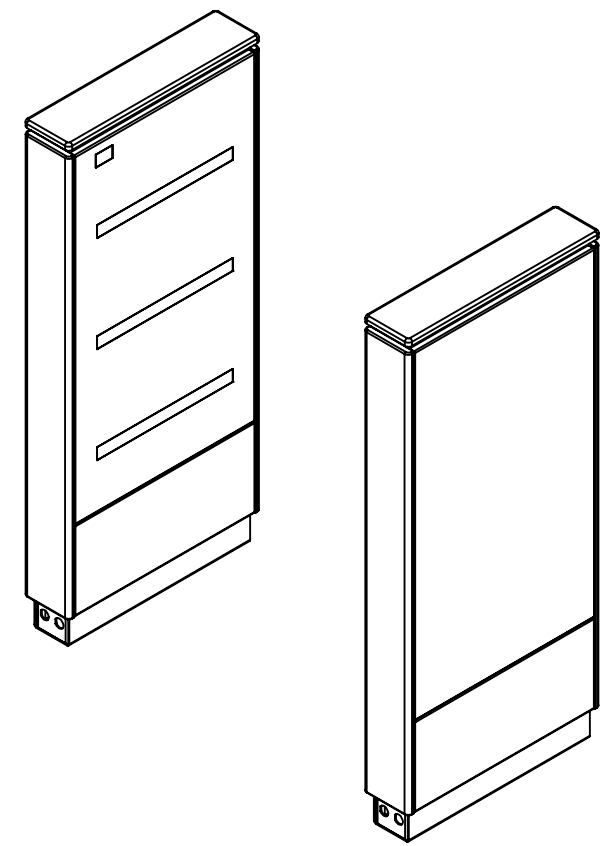
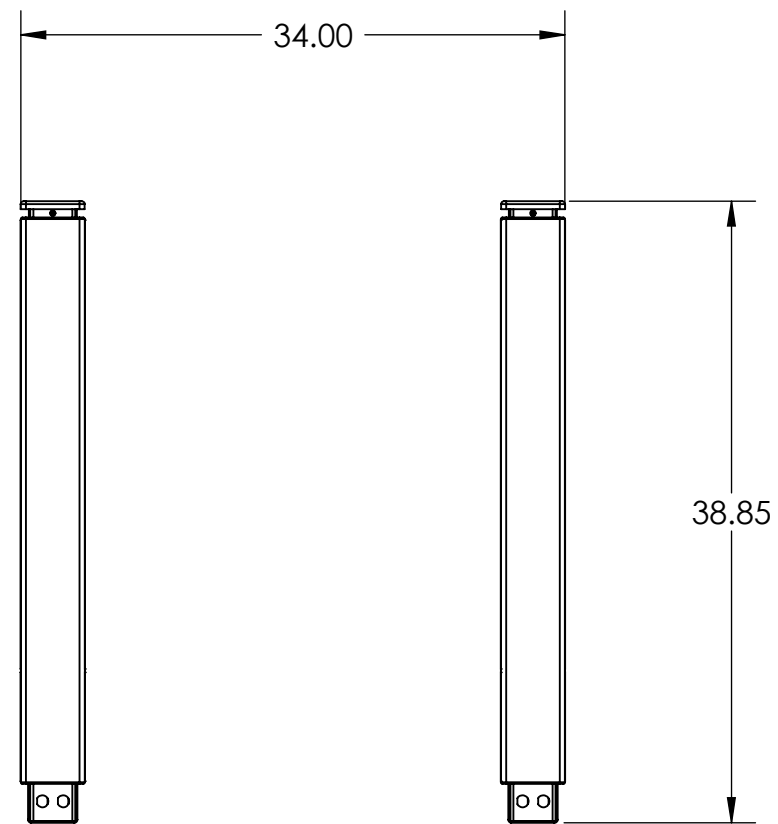
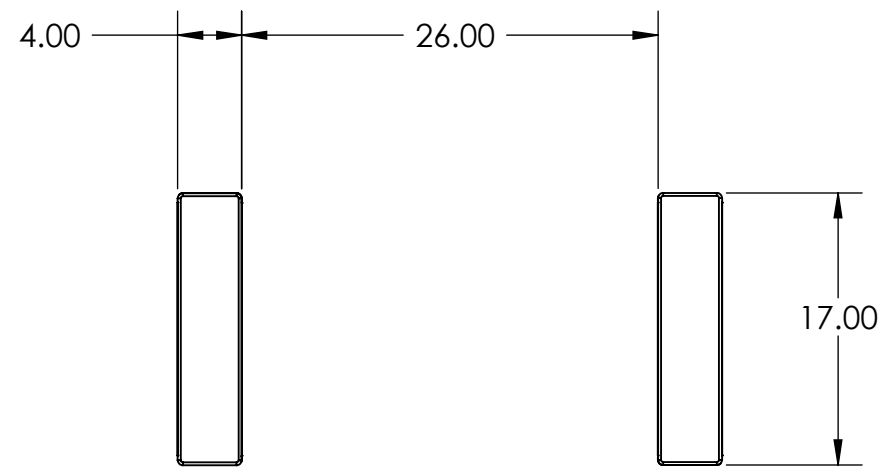


8 7 6 5 4 3 2 1

D
C
B
A



NOTES:
 1. ALL DIMENSIONS ARE APPROXIMATE.
 2. NON-OPTICAL SIDE SHOULD BE 6" FROM WALL TO ALLOW FOR SERVICING.

ENGR GREG FOX	
ALVARADO MFG.CO.INC. 12660 COLONY STREET, CHINO, CA. 91710	
PROPERTY NOTICE: NO USE WITHOUT PRIOR WRITTEN CONSENT	
SU500 PLAN, ELEVATION & FOOTPRINT [1 LANE]	
SIZE B	NUMBER PEF-032
SCALE: 1:16	DATE 9/8/2009
UNLESS OTHERWISE SPECIFIED DIMENSIONS ARE IN INCHES	
SHEET 1 OF 1	

8 7 6 5 4 3 2 1