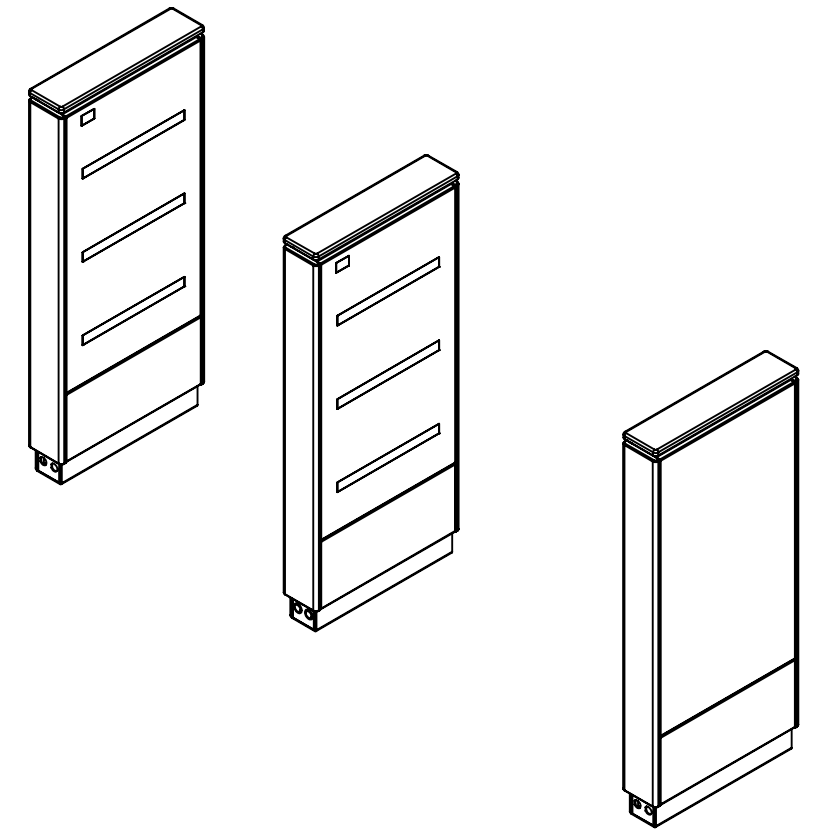
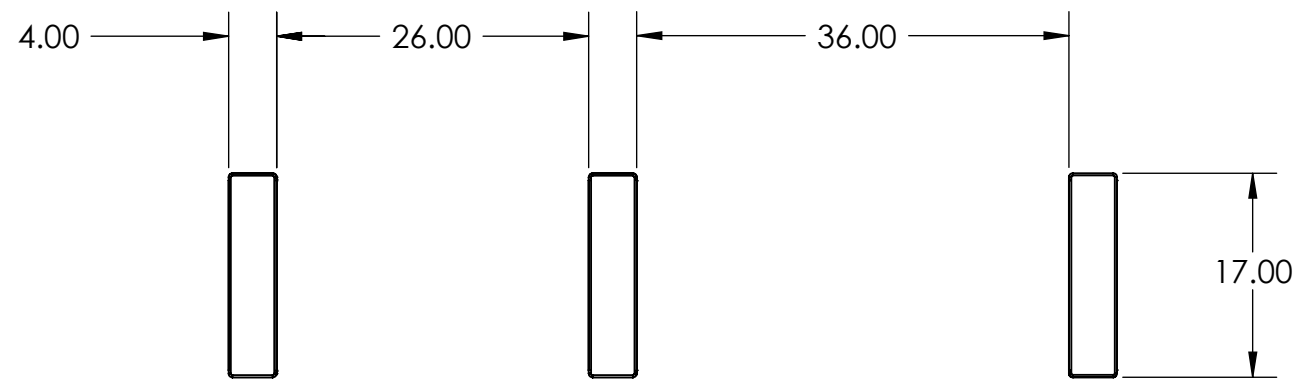


8 7 6 5 4 3 2 1

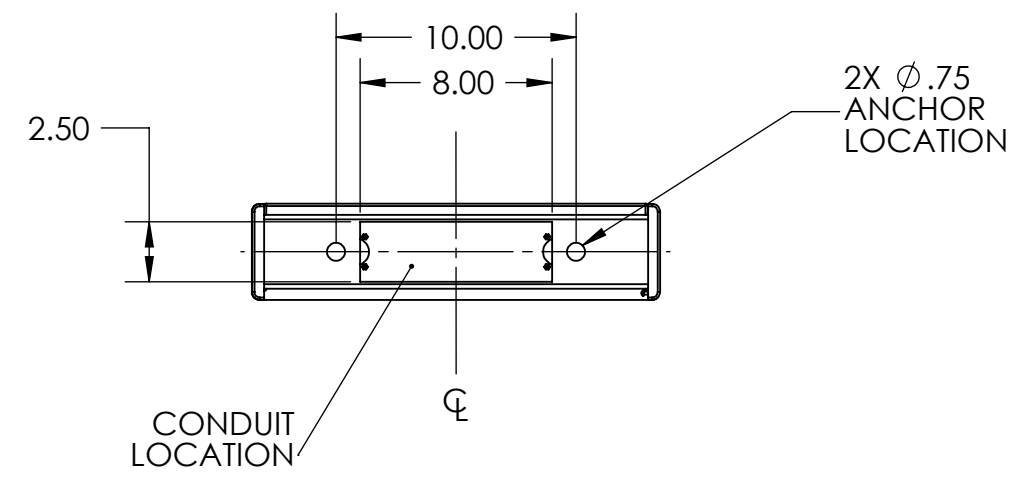
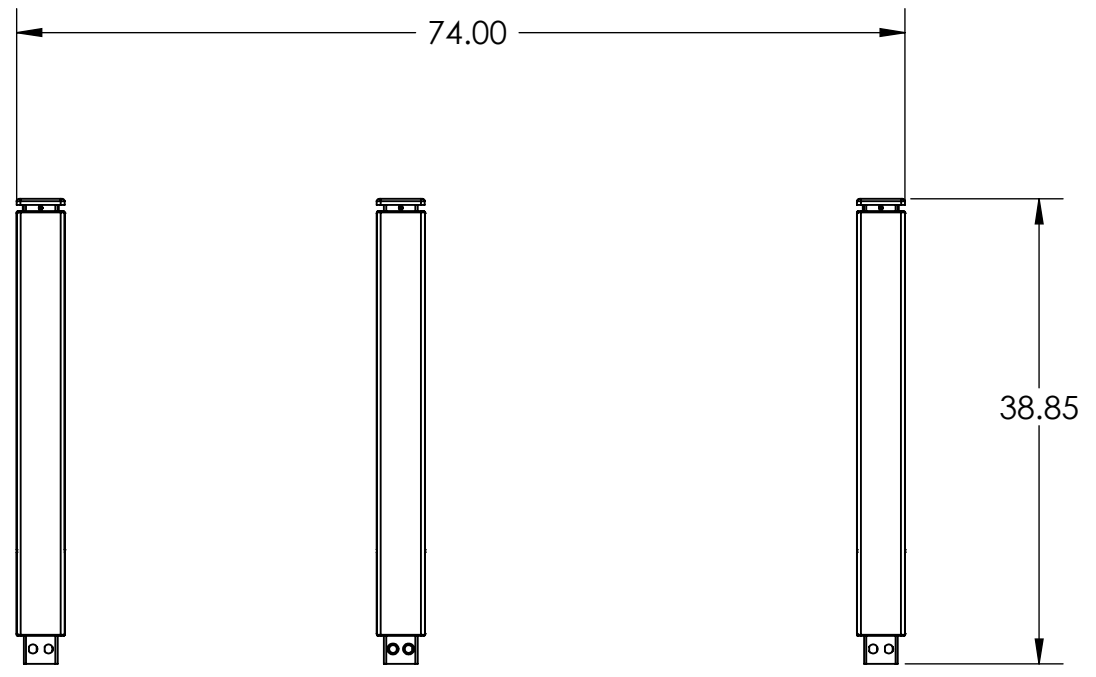
D

D



C

C



B

B

NOTES:

- 1. ALL DIMENSIONS ARE APPROXIMATE.
- 2. NON-OPTICAL SIDE SHOULD BE 6" FROM WALL TO ALLOW FOR SERVICING.
- 3. ADA LANE WIDTH SHOWN. STANDARD WIDTH (26") LANES SHOULD BE USED FOR GERNERAL PURPOSE PATRON COUNTING. ALVARADO RECOMMENDS ADA WIDTH LANES BE RESERVED FOR USED BY PATRONS WITH SPECIAL REQUIRMENTS.

ENGR

ALVARADO MFG.CO.INC.
 12660 COLONY STREET, CHINO, CA. 91710

PROPERTY NOTICE: NO USE WITHOUT PRIOR WRITTEN CONSENT

SU500 PLAN, ELEVATION & FOOTPRINT
[2 LANE COMBO]

SIZE B	NUMBER PEF-020	DATE 9/8/2009
SCALE: 1:16		UNLESS OTHERWISE SPECIFIED DIMENSIONS ARE IN INCHES
		SHEET 1 OF 1

8 7 6 5 4 3 2 1

A

A